

Brugarolas



THE SINGLE-POINT AUTOMATIC LUBRICATOR, COMPACT AND REFILLABLE

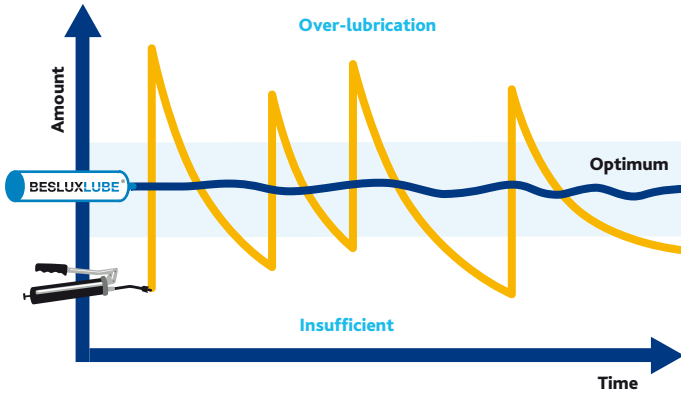


BESLUXLUBE

Advantages of automatic lubrication with Beslux Lube

Beslux Lube lubricators replace the costly manual lubrication. This not only saves time, but also prevents insufficient or over-lubrication, assuring that the adequate quantity of lubricant reaches the mechanism. Costs can thus be reduced up to 30%.

Optimized lubricant delivery



Continuous lubricant delivery with **Beslux Lube** prevents insufficient or over-lubrication that often occurs with manual lubrication.

Lower costs up to 30%



Time-saving and greater safety at work thanks to fewer maintenance intervals.

Longer machine service life and less unplanned down-time.

Benefits of automatic lubrication with Beslux Lube



No more manual lubrication

- Saves time
- Greater work safety
- Permanent supply for hard-to-reach lubrication points
- Lower lubricant consumption



No under- or over-lubrication of components

- Less wear
- Less machine downtime
- Increased machine performance



Sealed, dustproof and waterproof system

- No more confusion of lubricants
- Reduced risk of contamination
- No contamination of lubricant points



Compliance with international standards

- TÜV-tested and Ex certified for all zones
- Improved workplace safety
- No environmental impact thanks to recycling and disposal according to regulations



Reliability

- Lubrication points are continuously supplied with lubricant
- No lubrication point is missed
- Easy monitoring of the dispensing process thanks to the transparent housing



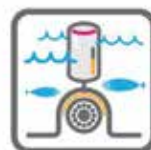
Environmental sustainability

- **Beslux Lube** can be refilled
- Easy disposal at end of dispensing cycle
- Beslux Lube lubricators do not contain toxic substances



Flexibility

- **Beslux Lube** is available in 5 sizes: 15, 30, 60, 125 y 250 ml
- Freely selectable dispensing cycle between 1 to 12 months
- Dispensing cycle can be modified anytime



Unlimited range of uses

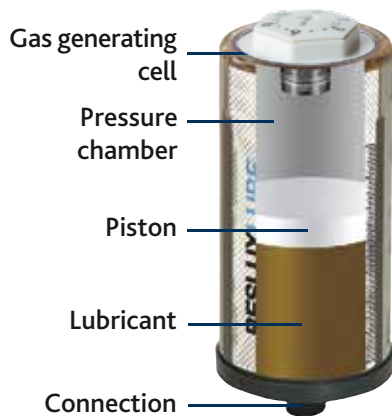
- In confined and hard-to-reach spaces
- In any location, even underwater
- At ambient temperatures of $-20\text{ }^{\circ}\text{C}$ to $+55\text{ }^{\circ}\text{C}$
- Numerous installation options thanks to a large range of accessories
- The lubricant range includes modern and high-performance lubricants designed by **Brugarolas** at its R+D facilities.

Beslux Lube The lubrication

Beslux Lube The single point automatic lubricator

Available in 5 sizes, Beslux Lube supplies continuous lubrication 24 hours to the functioning equipment. Its modern design allows to regulate the lubricant's flow, depending on the equipment needs, varying its lifespan between 1 to 12 months.

Components



Certifications



Lubricator volume	15 ml	30 ml	60 ml	125 ml	250 ml
Filled weight	~35 g	~82 g	~115 g	~190 g	~335 g
Empty weight	~21,5 g	~55 g	~60 g	~75 g	~111 g



Beslux Lube 250



Beslux Lube 125



Beslux Lube 60



Beslux Lube 30



Beslux Lube 15

Beslux Lube 15

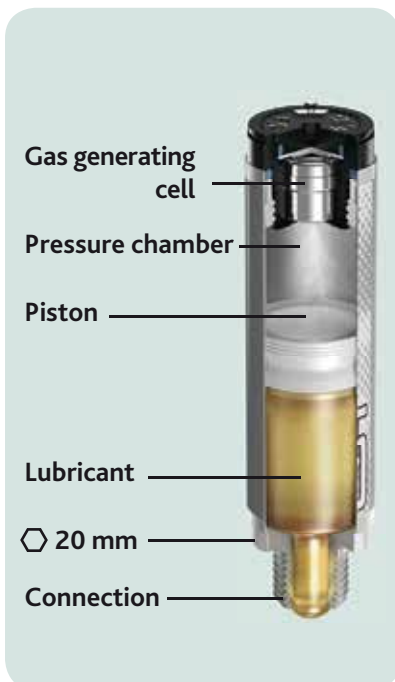
The smallest lubricator, Beslux Lube 15 ml offers the perfect solution for confined spaces. With its compact size, is the smallest lubricator on the global market. It functions in the same way as the larger Beslux Lube lubricators and assures the continuous and adequate lubrication dosage.

Small size, Big performance




- Space-saving thanks to compact size
- Robust aluminium enclosure
- Same refill, installation and function as other Beslux Lube lubricators.



Components



Technical data

Product	Automatic, long-term grease and oil lubricator
Power generation	Hydrogen gas producing drycell
Working pressure	Máx. 5 bar
Adjustment	Stepless 1-12 months
Operation temperature	-20 °C to + 55 °C ambient temperature (Grease consistency changes with temperature)
Storage temperature	Recommended at 20 °C ± 5 °C
Lubricator volume	15 ml
Weight full/empty	~36 g / ~22.5 g
Certifications	  

IMPULSE connect

Pressure booster up to 10 bar.

Thanks to the cooperation with **Simatec**, **Brugarolas** offers IMPULSE, a device that enables amplify work pressure to **Beslux Lube** up to 10 bar. Thanks to impulse it is possible to overcome the load loss that takes place into the tube, allowing to reach longer lubrication distances.

The IMPULSE functions have been expanded by the capability to connect the device to a mobile phone via Bluetooth®. Together with the "*Simatec World of Maintenance*" app, the device can be easily configured and monitored. Information such as general status, fill level, lubricant, size, change date, etc. are displayed in the app in digital and easy-to-read format.



Powerful and compact

Functionality

- Lubrication impulses of 0.5 ml of oil or grease up to NLGI 2 at a pressure up to 10 bar
- Indication of operating condition via flashing LED status display (green/red)
- Dispensing time can be modified at any time via the lubricator
- Modular system, fully compatible with 60, 125 and 250 ml Beslux Lube lubricators
- The lubricator can be replaced without removing the simalube IMPULSE
- Gentle on all lubricants, as only the dosing quantity is under pressure

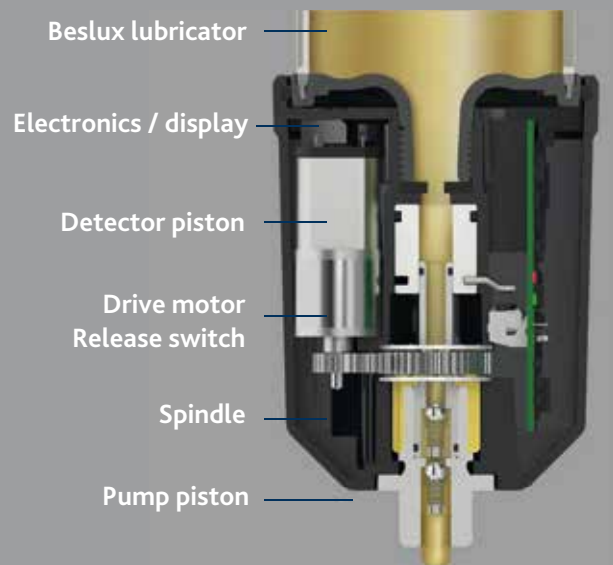
Diverse applications

- Can be installed outside of high-temperature or hazardous areas with tubes up to 4 metres long
- The compact format means it can be installed in very small spaces
- Functions perfectly in all positions, even underwater



Efficiency

- High cost savings thanks to reusability

Components



Technical data

Product	Automatic pressure booster for the Beslux Lube lubricator
Drive system	Electromechanical
Power supply	Battery pack , 6 V 2.3 Ah
Function display	LED status display: green/red/blue every 10 seconds
Compatibility	Compatible with Bluetooth® Low Energy 5.0 standard. Connection range is up to 20m outdoors
Dispensing volume	0.5 ml per stroke
Working pressure	Up to 10 bar
Time setting	1 to 12 months – determined by the setting on the Beslux Lube
Operating temperature	-10 °C to +55 °C
Lubrication rate	Depends on the size and settings of the Beslux Lube : 0.17 to 8.3 ml/day
Lubricator volume	According to lubricator: 60 ml, 125 ml o 250 ml
Lubricant	Grease up to NLGI 2 or oil
Installation position	Any
Weight	0,24 kg
Warranty & service life	3 years form the production date or until 10 Beslux Lube lubricators (125 ml) have been emptied
Protection class	 



Install IMPULSE



Simple refilling



Procure new battery pack and new cartridge, refill dispenser yourself...



...or procure a new battery pack and new **Beslux Lube** lubricator



Application examples

The Beslux Lube can be easily installed anywhere and in any position with these accessories.

<p>Chain lubrication with lateral connection</p> <p>290.2035-S 290.2036-S 290.2037-S 290.2038-S</p> <p>290.1045 290.1046</p>	<p>Mounting bracket</p> <p>290.1060</p> <p>290.2082 290.2083 290.2084</p> <p>290.2000 290.2002 290.2004</p> <p>290.2080</p>	<p>Lubrication of elevator guides or wire ropes</p> <p>290.2039 290.2042</p>	<p>Chain lubrication with round brush and two clamps</p> <p>290.2010 290.2013</p> <p>290.2014 290.2034</p>
<p>Mounting support with protective cover for Beslux Lube</p> <p>290.2081 290.2085</p> <p>290.2080</p> <p>290.1060</p> <p>290.2082 290.2083 290.2084</p> <p>290.2000 290.2002 290.2004</p>	<p>Chain lubrication with clamp</p> <p>290.2010</p> <p>290.2035 290.2036 290.2037 290.2038</p>	<p>Round brush with 90° connection</p> <p>290.2010</p> <p>290.1005 290.2041</p>	<p>Chain lubrication with bracket, universally adjustable</p> <p>290.2800</p> <p>290.2035 290.2036 290.2037 290.2038</p> <p>290.1045 290.1046</p>

Beslux Lube applications



Chains and spindles



Automation



Printing



Plastic manufacturing



Cement factory/quarry



Elevator



Water treatment



Power stations

Applicable also in:

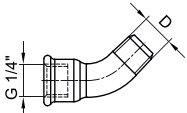
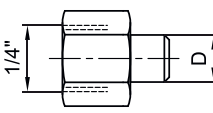
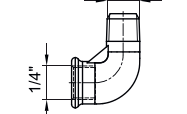
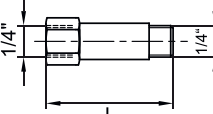
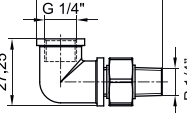
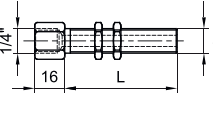
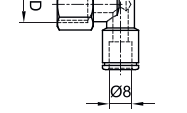
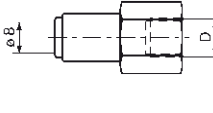
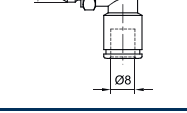
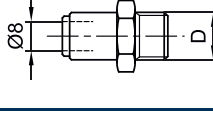
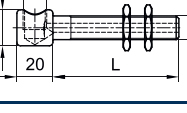
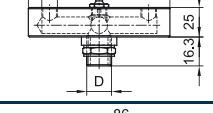
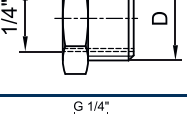
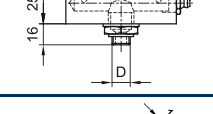
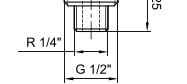
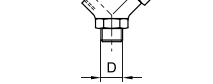
- Iron and steel industry
- Mining
- Chemical industry
- Food industry
- Cranes and heavy machinery
- Naval industry
- Paper industry
- ...

Greases and oils available for Beslux Lube

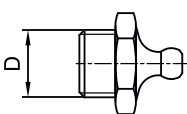
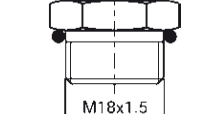
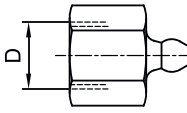
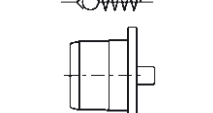
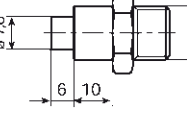
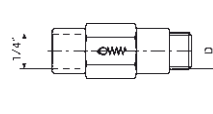
Greases	Description	Base oil	Viscosity of base oil at 40 °C (cSt)	Thickener	NLGI	Temp. range (°C)
Beslux Lube X2	Multifunctional grease (EP)	M	220	Lithium complex	2	-20 to 150
Beslux Lube 850 EP-0	Multifunctional fluid grease	M	100	Lithium	2	-25 to 120
Beslux Lube Alfa 2	High lubricating power grease and long lifespan	S	100	Polyurea	2	-50 to 150
Beslux Lube Alfa 0/1	Semi-fluid grease with high lubricating power	S	100	Polyurea	0/1	-50 to 150
Beslux Lube HT 2	Grease for high temperature with MoS ₂	S	72	Inorganic	2	-35 to 200
Beslux Lube M2/BM	High performance grease with MoS ₂ (EP)	M	220	Lithium complex	2	-20 to 150
Beslux Lube KM 2	Multifunctional grease with long lifespan	M	220	Polyurea	1	-20 to 150
Beslux Lube KM 0	High performance lubrication grease	M	220	Urea compound/ Polyurea	0	-20 to 150
Beslux Lube SH Plus	High performance and anticorrosive grease	M	460	Calcium sulfonate	1/2	-15 to 160
Beslux Lube L2 EP	High performance grease for a wide range of working temperatures	SS	100	Lithium special	2	-40 to 160
Beslux Lube FG 2	Food grade grease for alimentary industry	SS	120	Aluminum complex	1	-20 to 130
Beslux Lube Atox H-1/2	Food grade grease for high loads	S	150	Aluminum complex	1/2	-45 to 180
Beslux Lube SM 152	Food Grade grease for loads and MOSH/MOAH free	S	150	Inorganic	2	-45 to 180

Greases	Description	Base oil	Viscosity grade (cSt)	Temp. range (°C)
Beslux Lube CGLP 220	Special guides oil ISO HG (DIN CGLP category)	M	220	-10 to 100
Beslux Lube R 320	High temperature chain oil	S	320	-20 to 230
Beslux Lube 150 WR	Chain oil with high humidity resistance	M	150	-10 to 150
Beslux Lube Atox 68	Multifunctional food grade oil (NSF H-1 certificate)	SS	68	-5 to 110
Beslux Lube Atox 220	Multifunctional food grade oil (NSF H-1 certificate)	SS	220	-5 to 110

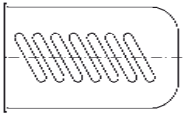
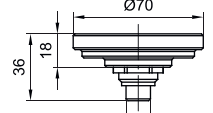
Connections

	Bent connection 45° <table border="1"> <tr> <td>D</td> <td>R 1/4</td> </tr> <tr> <td>Nr.</td> <td>290.1001</td> </tr> </table>	D	R 1/4	Nr.	290.1001		Reducing nipple <table border="1"> <tr> <td>D</td> <td>G 1/8</td> <td>G 1/4</td> <td>M 6</td> <td>M 8</td> <td>M 8x1</td> </tr> <tr> <td>Nr.</td> <td>290.1020</td> <td>290.1021</td> <td>290.1022</td> <td>290.1023</td> <td>290.1024</td> </tr> <tr> <td>D</td> <td>M 10</td> <td>M 10x1</td> <td>M 12</td> <td>M 12x1,5</td> <td>UNF 1/4</td> </tr> <tr> <td>Nr.</td> <td>290.1025</td> <td>290.1026</td> <td>290.1027</td> <td>290.1028</td> <td>290.1121</td> </tr> </table>	D	G 1/8	G 1/4	M 6	M 8	M 8x1	Nr.	290.1020	290.1021	290.1022	290.1023	290.1024	D	M 10	M 10x1	M 12	M 12x1,5	UNF 1/4	Nr.	290.1025	290.1026	290.1027	290.1028	290.1121
D	R 1/4																														
Nr.	290.1001																														
D	G 1/8	G 1/4	M 6	M 8	M 8x1																										
Nr.	290.1020	290.1021	290.1022	290.1023	290.1024																										
D	M 10	M 10x1	M 12	M 12x1,5	UNF 1/4																										
Nr.	290.1025	290.1026	290.1027	290.1028	290.1121																										
	Bent connection 90° <table border="1"> <tr> <td>D</td> <td>R 1/4</td> </tr> <tr> <td>Nr.</td> <td>290.1002</td> </tr> </table>	D	R 1/4	Nr.	290.1002		Extension <table border="1"> <tr> <td>L</td> <td>10</td> <td>35</td> <td>50</td> <td>[mm]</td> </tr> <tr> <td>Nr.</td> <td>290.1021</td> <td>290.1040</td> <td>290.1041</td> <td></td> </tr> </table>	L	10	35	50	[mm]	Nr.	290.1021	290.1040	290.1041															
D	R 1/4																														
Nr.	290.1002																														
L	10	35	50	[mm]																											
Nr.	290.1021	290.1040	290.1041																												
	Bent connection 90° swiveling <table border="1"> <tr> <td>D</td> <td>R 1/4</td> </tr> <tr> <td>Nr.</td> <td>290.1004</td> </tr> </table>	D	R 1/4	Nr.	290.1004		Screwed connection with hole, 25 mm, incl. 1 nut/60 mm, incl. 2 nuts <table border="1"> <tr> <td>L</td> <td>25</td> <td>60</td> <td>[mm]</td> </tr> <tr> <td>Nr.</td> <td>290.1045</td> <td>290.1046</td> <td></td> </tr> </table>	L	25	60	[mm]	Nr.	290.1045	290.1046																	
D	R 1/4																														
Nr.	290.1004																														
L	25	60	[mm]																												
Nr.	290.1045	290.1046																													
	Rotary elbow, for hose Ø 8 mm <table border="1"> <tr> <td>D</td> <td>G 1/4</td> </tr> <tr> <td>Nr.</td> <td>290.1003</td> </tr> </table>	D	G 1/4	Nr.	290.1003		Quick connection, for hose Ø 8 mm <table border="1"> <tr> <td>D</td> <td>G 1/4</td> </tr> <tr> <td>Nr.</td> <td>290.1060</td> </tr> </table>	D	G 1/4	Nr.	290.1060																				
D	G 1/4																														
Nr.	290.1003																														
D	G 1/4																														
Nr.	290.1060																														
	Rotary elbow, for hose Ø 8 mm <table border="1"> <tr> <td>D</td> <td>G 1/8</td> <td>G 1/4</td> </tr> <tr> <td>Nr.</td> <td>290.1007</td> <td>290.1008</td> </tr> </table>	D	G 1/8	G 1/4	Nr.	290.1007	290.1008		Quick connection, for hose Ø 8 mm <table border="1"> <tr> <td>D</td> <td>G 1/8</td> <td>G 1/4</td> <td>G 3/8</td> </tr> <tr> <td>Nr.</td> <td>290.1070</td> <td>290.1071</td> <td>290.1072</td> </tr> </table>	D	G 1/8	G 1/4	G 3/8	Nr.	290.1070	290.1071	290.1072														
D	G 1/8	G 1/4																													
Nr.	290.1007	290.1008																													
D	G 1/8	G 1/4	G 3/8																												
Nr.	290.1070	290.1071	290.1072																												
	90° connection with thread, incl. 2 nuts (only for oil) <table border="1"> <tr> <td>L</td> <td>70 [mm]</td> </tr> <tr> <td>Nr.</td> <td>290.1005</td> </tr> </table>	L	70 [mm]	Nr.	290.1005		4-fold adapter <table border="1"> <tr> <td>D</td> <td>G 1/2</td> <td>G 1/4</td> </tr> <tr> <td>Nr.</td> <td>290.4100</td> <td>290.4101</td> </tr> </table>	D	G 1/2	G 1/4	Nr.	290.4100	290.4101																		
L	70 [mm]																														
Nr.	290.1005																														
D	G 1/2	G 1/4																													
Nr.	290.4100	290.4101																													
	Connecting nipple <table border="1"> <tr> <td>D</td> <td>G 3/8</td> <td>G 1/2</td> </tr> <tr> <td>Nr.</td> <td>290.1010</td> <td>290.1011</td> </tr> </table>	D	G 3/8	G 1/2	Nr.	290.1010	290.1011		2-fold adapter <table border="1"> <tr> <td>D</td> <td>G 1/2</td> <td>G 1/4</td> </tr> <tr> <td>Nr.</td> <td>290.4102</td> <td>290.4103</td> </tr> </table>	D	G 1/2	G 1/4	Nr.	290.4102	290.4103																
D	G 3/8	G 1/2																													
Nr.	290.1010	290.1011																													
D	G 1/2	G 1/4																													
Nr.	290.4102	290.4103																													
	Fixation nipple G 1/2" – R 1/4" <table border="1"> <tr> <td>L</td> <td>25 [mm]</td> </tr> <tr> <td>Nr.</td> <td>290.1015</td> </tr> </table>	L	25 [mm]	Nr.	290.1015		Y-manifold, contains reduction art. 290.1021 <table border="1"> <tr> <td>D</td> <td>R 1/4</td> </tr> <tr> <td>Nr.</td> <td>290.1050x</td> </tr> </table>	D	R 1/4	Nr.	290.1050x																				
L	25 [mm]																														
Nr.	290.1015																														
D	R 1/4																														
Nr.	290.1050x																														

Lubricator accessories and miscellaneous

	Filling nipple, for cleaning and filling of grease lines <table border="1"> <tr> <td>D</td> <td>R 1/4</td> </tr> <tr> <td>Nr.</td> <td>290.3011</td> </tr> </table>	D	R 1/4	Nr.	290.3011		Gas generator, for refilling <table border="1"> <tr> <td></td> <td>15 ml</td> <td>30 ml</td> <td>60 ml</td> <td>125 ml</td> <td>250 ml</td> </tr> <tr> <td>Nr.</td> <td>220.5002</td> <td>220.5004</td> <td>220.5006</td> <td>220.5008</td> <td>220.5010</td> </tr> </table>		15 ml	30 ml	60 ml	125 ml	250 ml	Nr.	220.5002	220.5004	220.5006	220.5008	220.5010
D	R 1/4																		
Nr.	290.3011																		
	15 ml	30 ml	60 ml	125 ml	250 ml														
Nr.	220.5002	220.5004	220.5006	220.5008	220.5010														
	Refill nipple, for refilling of simalube <table border="1"> <tr> <td>D</td> <td>G 1/4</td> </tr> <tr> <td>Nr.</td> <td>290.3012</td> </tr> </table>	D	G 1/4	Nr.	290.3012		Non-return valve plug, Plastic Nr. 290.5060												
D	G 1/4																		
Nr.	290.3012																		
	Refill nipple, to grease gun filler for filling simalube <table border="1"> <tr> <td>D</td> <td>R 1/4</td> <td>R 3/8</td> </tr> <tr> <td>Nr.</td> <td>290.3013</td> <td>290.3014</td> </tr> </table>	D	R 1/4	R 3/8	Nr.	290.3013	290.3014		Non-return valve <table border="1"> <tr> <td>D</td> <td>G 1/8</td> <td>G 1/4</td> </tr> <tr> <td>Nr.</td> <td>290.2020</td> <td>290.2021</td> </tr> </table>	D	G 1/8	G 1/4	Nr.	290.2020	290.2021				
D	R 1/4	R 3/8																	
Nr.	290.3013	290.3014																	
D	G 1/8	G 1/4																	
Nr.	290.2020	290.2021																	

Safety accessories

	Protective cover, to mounting support art. 290.2080 <table border="1"> <tr> <td></td> <td>≤125 ml</td> <td>250 ml</td> </tr> <tr> <td>L</td> <td>105</td> <td>195 [mm]</td> </tr> <tr> <td>Nr.</td> <td>290.2081</td> <td>290.2085</td> </tr> </table>		≤125 ml	250 ml	L	105	195 [mm]	Nr.	290.2081	290.2085		Mounting support, for all simalube sizes <table border="1"> <tr> <td>D</td> <td>R 1/4</td> </tr> <tr> <td>Nr.</td> <td>290.2080</td> </tr> </table>	D	R 1/4	Nr.	290.2080
	≤125 ml	250 ml														
L	105	195 [mm]														
Nr.	290.2081	290.2085														
D	R 1/4															
Nr.	290.2080															

Brushes

	<p>Round brush</p> <p>DxL $\varnothing 25 \times 45$ [mm] Nr. 290.2034</p>		<p>Brush lateral connection, SFN for food applications</p> <table border="1"> <tr> <td>L</td> <td>25</td> <td>40</td> <td>70</td> <td>100 [mm]</td> </tr> <tr> <td>Nr.</td> <td>290.2038-S</td> <td>290.2035-S</td> <td>290.2036-S</td> <td>290.2037-S</td> </tr> <tr> <td>Nr.</td> <td>290.2038-SFN</td> <td>290.2035-SFN</td> <td>290.2036-SFN</td> <td>290.2037-SFN</td> </tr> </table>	L	25	40	70	100 [mm]	Nr.	290.2038-S	290.2035-S	290.2036-S	290.2037-S	Nr.	290.2038-SFN	290.2035-SFN	290.2036-SFN	290.2037-SFN
L	25	40	70	100 [mm]														
Nr.	290.2038-S	290.2035-S	290.2036-S	290.2037-S														
Nr.	290.2038-SFN	290.2035-SFN	290.2036-SFN	290.2037-SFN														
	<p>Round brush short</p> <p>DxL $\varnothing 25 \times 15$ [mm] Nr. 290.2041</p>		<p>Elevator brush, 5–16 mm, height 32 mm</p> <p>Elevator brush, 16–32 mm, height 32 mm</p> <p>Nr. 290.2039</p> <p>Nr. 290.2044</p>															
	<p>Brush, FN for food applications</p> <table border="1"> <tr> <td>L</td> <td>25</td> <td>40</td> <td>70</td> <td>100 [mm]</td> </tr> <tr> <td>Nr.</td> <td>290.2038</td> <td>290.2035</td> <td>290.2036</td> <td>290.2037</td> </tr> <tr> <td>Nr.</td> <td>290.2038-FN</td> <td>290.2035-FN</td> <td>290.2036-FN</td> <td>290.2037-FN</td> </tr> </table>	L	25	40	70	100 [mm]	Nr.	290.2038	290.2035	290.2036	290.2037	Nr.	290.2038-FN	290.2035-FN	290.2036-FN	290.2037-FN		<p>Elevator brush small, 5–16 mm, height 32 mm</p> <p>Nr. 290.2042</p>
L	25	40	70	100 [mm]														
Nr.	290.2038	290.2035	290.2036	290.2037														
Nr.	290.2038-FN	290.2035-FN	290.2036-FN	290.2037-FN														

Installation accessories

	<p>Hose, available by the meter</p> <p>L per meter $\varnothing 8/6$ mm Nr. 290.2000/...m</p>		<p>Adapter for clamp (60 mm), Plastic</p> <p>D 50 [mm] Nr. 290.2012</p>												
	<p>Manguera para temperaturas hasta 260 °C, available by the meter</p> <p>L per meter $\varnothing 8/6$ mm Nr. 290.2002/...m</p>		<p>Distance holder, to clamp for round brush art. 290.2013</p> <p>H 15 [mm] Nr. 290.2014</p>												
	<p>Hose for small bend radius, available by the meter</p> <p>L per meter $\varnothing 8/6$ mm Nr. 290.2004/...m</p>		<p>Bracket, to mounting support simalube art. 290.2080</p> <table border="1"> <tr> <td></td> <td>1x</td> <td>3x</td> <td>5x</td> </tr> <tr> <td>L</td> <td>75</td> <td>240</td> <td>390 [mm]</td> </tr> <tr> <td>Nr.</td> <td>290.2082</td> <td>290.2083</td> <td>290.2084</td> </tr> </table>		1x	3x	5x	L	75	240	390 [mm]	Nr.	290.2082	290.2083	290.2084
	1x	3x	5x												
L	75	240	390 [mm]												
Nr.	290.2082	290.2083	290.2084												
	<p>Clamp for simalube/round brush, Plastic</p> <table border="1"> <tr> <td>D</td> <td>22 (SL 15 ml)</td> <td>28 (brush)</td> <td>50 (SL 30-250 ml) [mm]</td> </tr> <tr> <td>Nr.</td> <td>290.2015</td> <td>290.2013</td> <td>290.2010</td> </tr> </table>	D	22 (SL 15 ml)	28 (brush)	50 (SL 30-250 ml) [mm]	Nr.	290.2015	290.2013	290.2010		<p>Bracket, for simalube 15–60 ml</p> <p>Nr. 290.2087</p>				
D	22 (SL 15 ml)	28 (brush)	50 (SL 30-250 ml) [mm]												
Nr.	290.2015	290.2013	290.2010												
	<p>Magnetic fixture, for clamps</p> <p>Nr. 290.2019</p>		<p>Bracket, universally adjustable</p> <p>Nr. 290.2800</p>												

Simalube IMPULSE accessories

	<p>Simalube IMPULSE, pressure booster</p> <p>Nr. 230.1000</p>		<p>Battery pack</p> <table border="1"> <tr> <td>Power</td> <td>6 V 2.3 Ah</td> </tr> <tr> <td>Nr.</td> <td>230.5000</td> </tr> </table>	Power	6 V 2.3 Ah	Nr.	230.5000
Power	6 V 2.3 Ah						
Nr.	230.5000						

Brugarolas



Customer service

BRUGAROLAS, S.A.

Paseo de la Riera, 36-44
Polígono Industrial Cova Solera
08191 RUBÍ (Barcelona) SPAIN
Phone: 935 883 100
E-mail: comercial@brugarolas.com
www.brugarolas.com

EXPORT

Phone: +34 935 883 100
E-mail: export@brugarolas.com

Area Manager Latin America

Marcelo Massoni

Phone: +54 911 4075 2276
E-mail: mfmassoni@brugarolas.com

Area Manager Asia Pacific

Tony Liu

Phone: +886 3368 42 88
Phone: +886 937 11 99 88
E-mail: tliu@brugarolas.com

Brugarolas, S.A. Subsidiaries

BRUGAROLAS FRANCE S.A.S.

50, Rue de la Garenne
38070 St Quentin Fallavier (Lyon)
FRANCE
Phone: +33 (0) 474 95 64 12
E-mail: brugarolasfrance@brugarolas.com

BRUGAROLAS SHANGHAI CO LTD

Room 848, No. 2, Lane 1518
Jinshajiang Road, PuTuo District
Shanghai, CHINA ZIP 200333
Phone: +86 21 62800588
Phone: +86 21 62530588
E-mail: cs@brugarolas-cn.com

BRUGAROLAS ITALIA, S.R.L.

C. SO Filippo Turati, 11/C
10128 Arino, ITALIA
brugarolasitalia@tiscalinet.it
Phone: +39 011 599114
E-mail: info@brugarolasitalia.it

BRUGAROLAS INDIA PRIVATE LTD

105, Richa Trade Center, Sativali Road
Above Mahindra Showroom, Vasai Road (East)
Dist. Palghar - 401208 MH INDIA
Phone: +91 7410006010/1/2/3/4
E-mail: info@brugarolasindia.com

